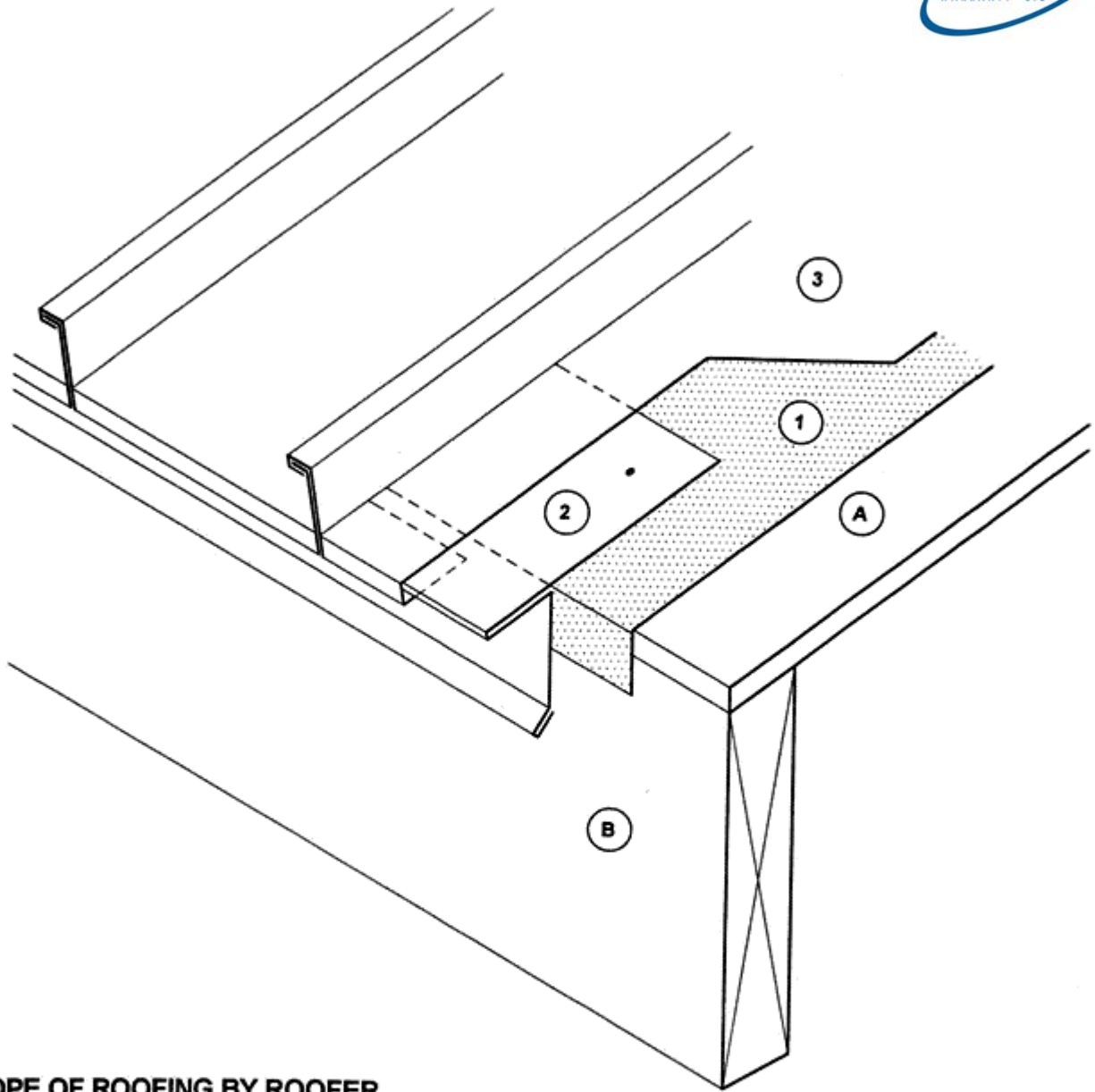


ARCHITECTURAL STANDING SEAM METAL ROOFING



SCOPE OF ROOFING BY ROOFER

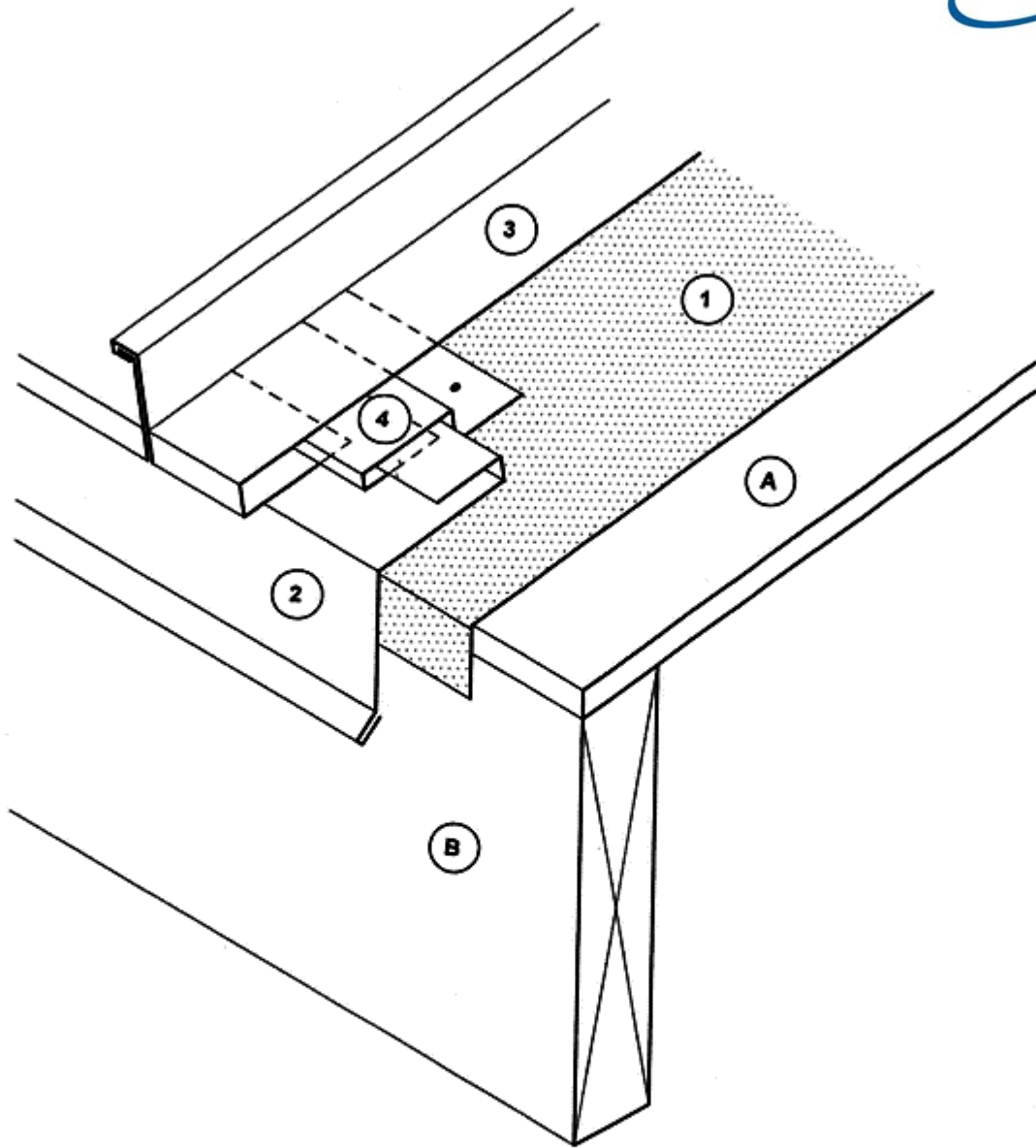
1. Underlayment/Eave Protection Membrane
2. Drip Edge Flashing
3. Metal Panel with Fold Lock Edge

SUGGESTED DETAIL BY OTHERS

- A. Accepted Deck
- B. Wood fascia

ARCA Warranty Ltd.
Eave Flashing
Detail 1

ARCHITECTURAL STANDING SEAM METAL ROOFING



SCOPE OF ROOFING BY ROOFER

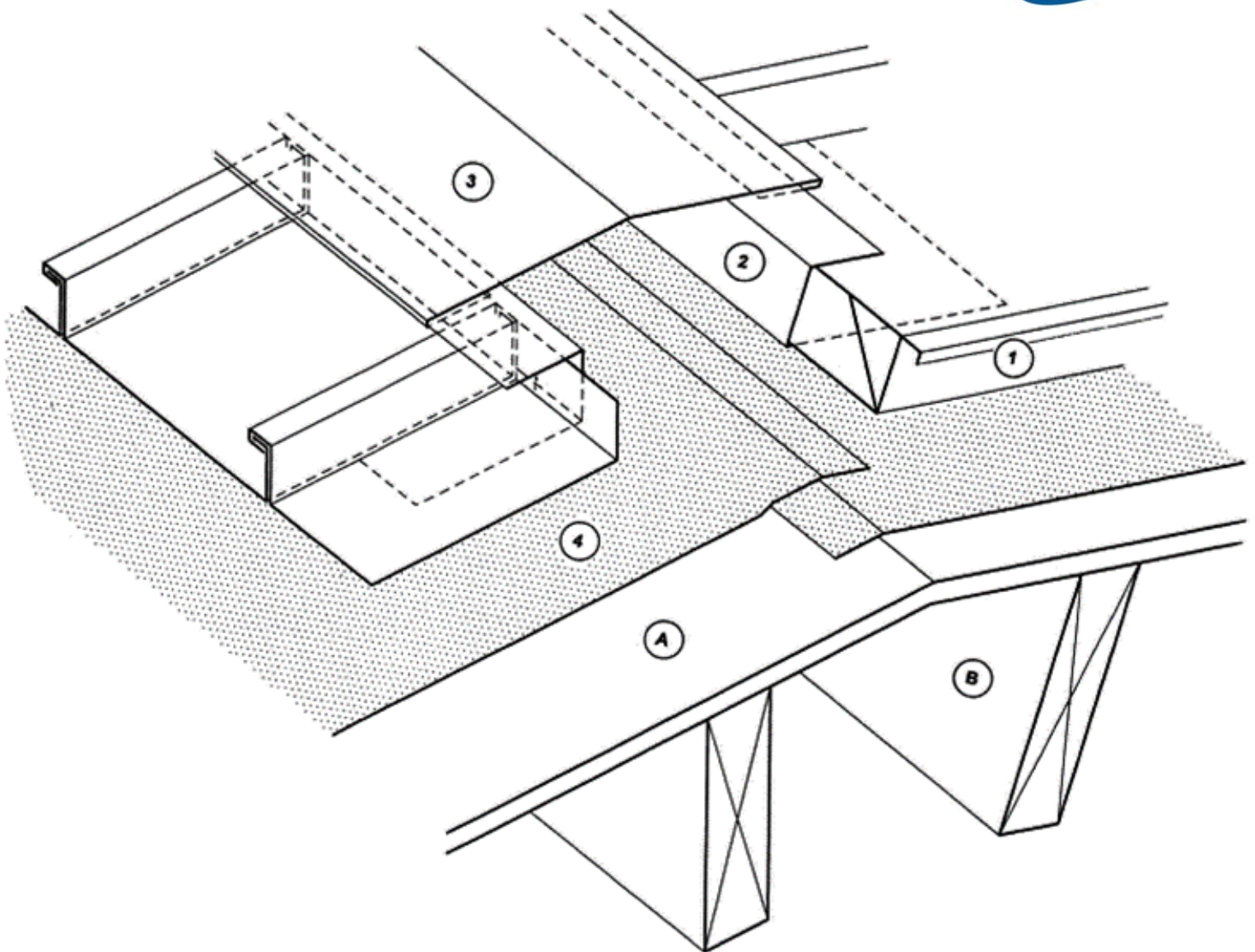
1. Underlayment/Eave Protection Membrane
2. Drip Edge Flashing
3. Metal Panel with Fold Lock Edge
4. Hook Strip

SUGGESTED DETAIL BY OTHERS

- A. Accepted Deck
- B. Wood fascia

ARCA Warranty Ltd.
Alternate Eave Flashing
Detail 1a

ARCHITECTURAL STANDING SEAM METAL ROOFING



SCOPE OF ROOFING BY ROOFER

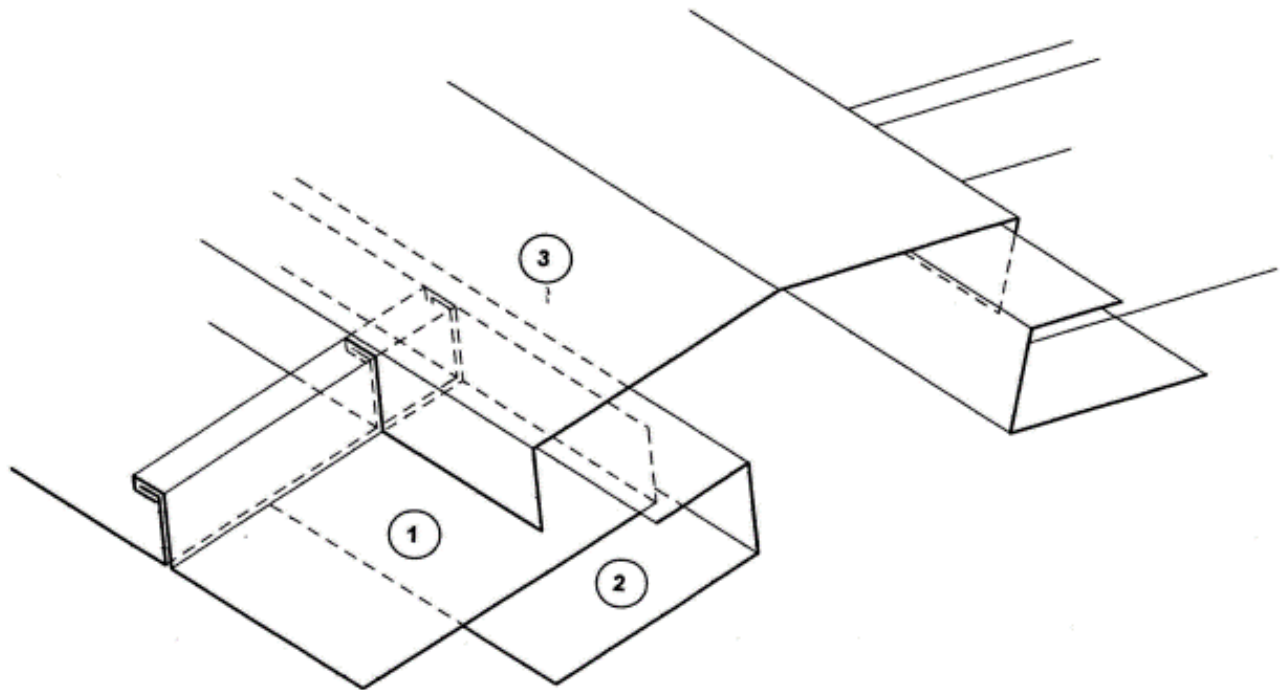
1. Metal Panel with Pan End Fold
2. J - Channel
3. Lock - Type Cap Flashing
4. Underlayment Membrane

SUGGESTED DETAIL BY OTHERS

- A. Accepted Deck
- B. Structural Member

ARCA Warranty Ltd.
Ridge/Hip Cap Flashing
Detail 2

ARCHITECTURAL STANDING SEAM METAL ROOFING



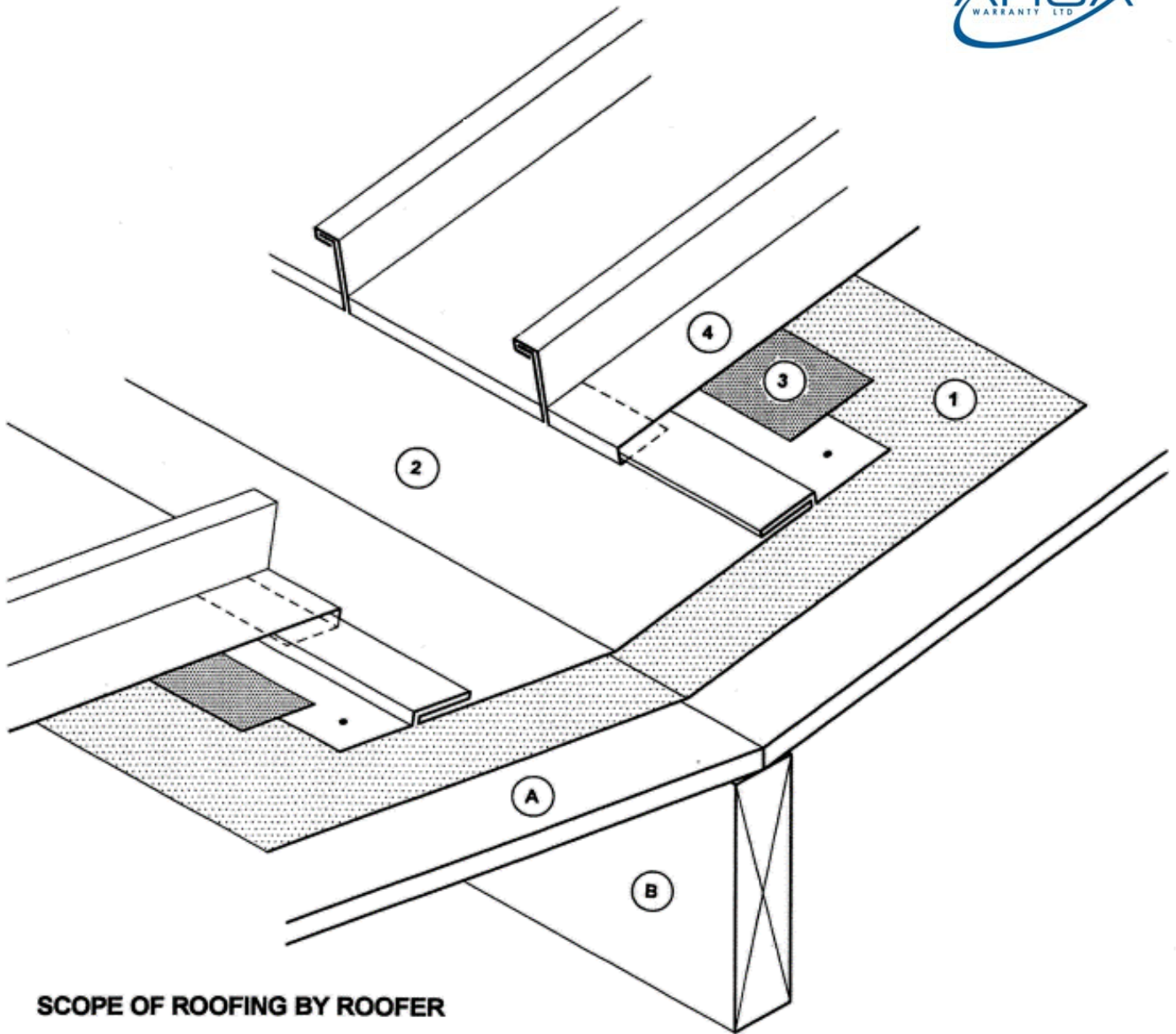
SCOPE OF ROOFING BY ROOFER

1. Metal Panel with Pan End Fold
2. J - Channel
3. Notched-Type Cap Flashing

ARCA Warranty Ltd.

**Alternate
Ridge/Hip Cap Flashing
Detail 2a**

ARCHITECTURAL STANDING SEAM METAL ROOFING



SCOPE OF ROOFING BY ROOFER

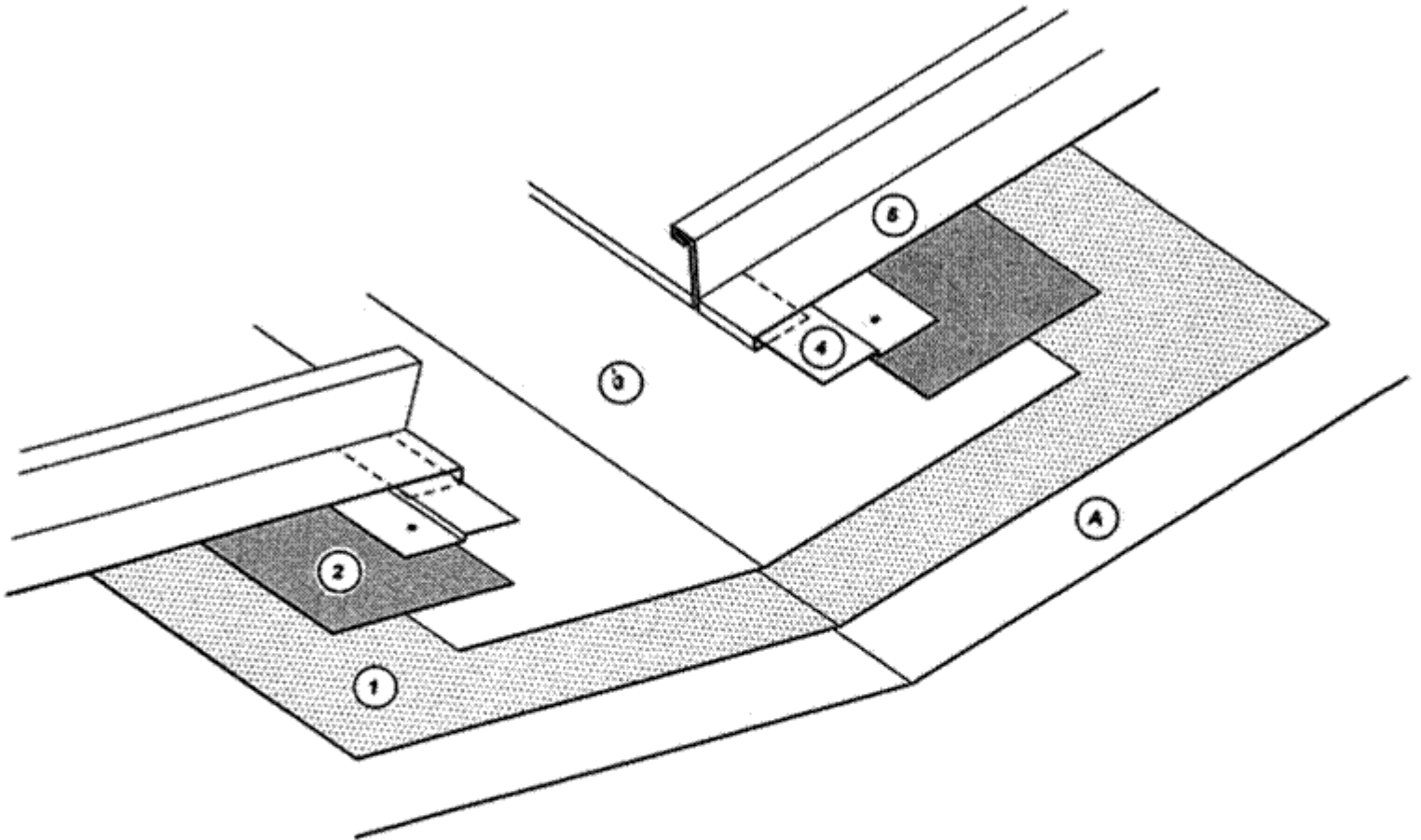
1. Peel & Stick SBS Membrane Valley Flashing
2. Sheet Metal Valley Flashing
3. Peel & Stick SBS Membrane Seal Strips
4. Metal Panel with Fold Lock Edge

SUGGESTED DETAIL BY OTHERS

- A. Accepted Deck
- B. Structural Member

ARCA Warranty Ltd.
Valley Flashing
Detail 3

ARCHITECTURAL STANDING SEAM METAL ROOFING



SCOPE OF ROOFING BY ROOFER

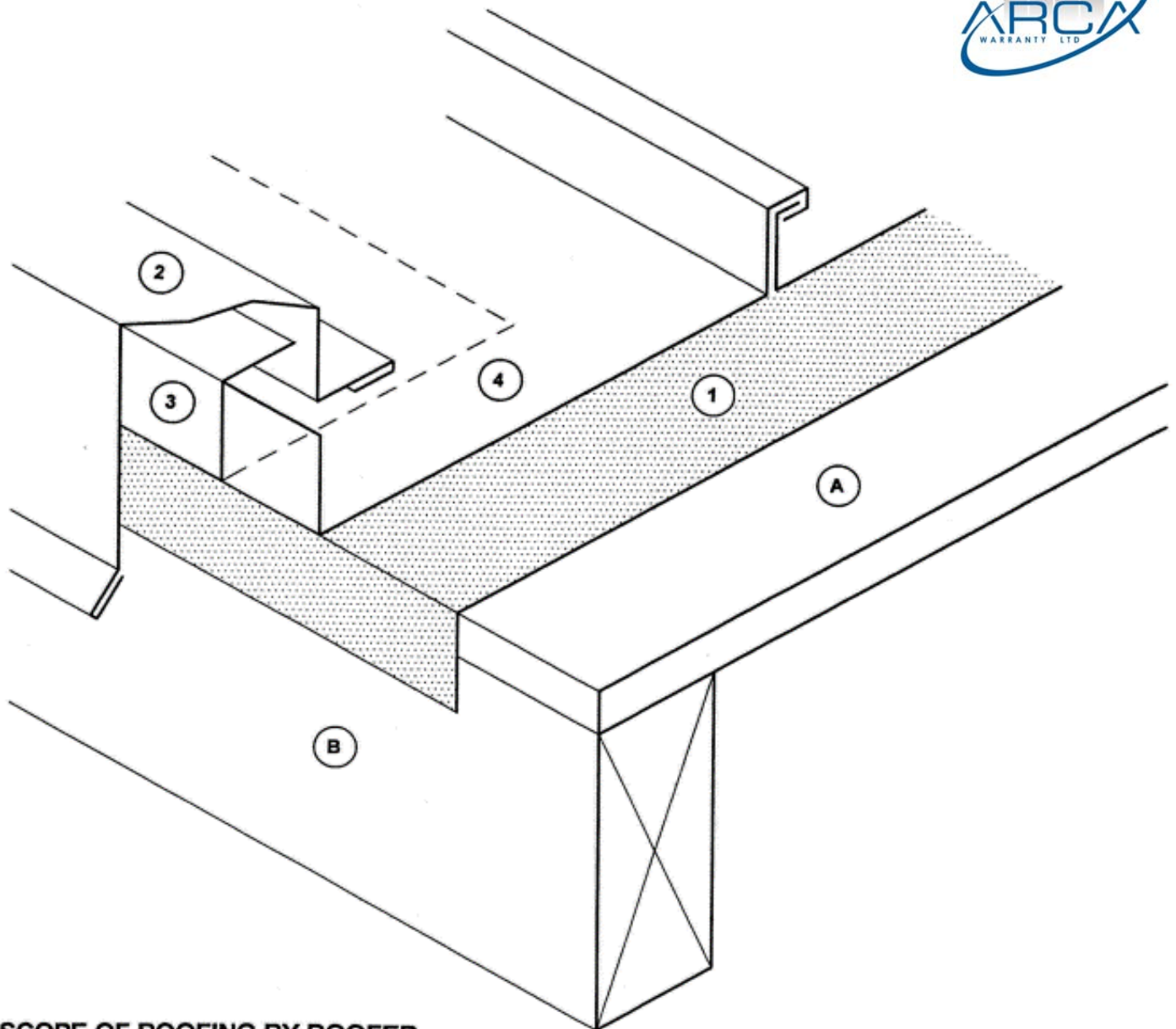
1. Peel & Stick SBS Membrane Valley Flashing
2. Peel & Stick SBS Membrane Seal Strip
3. Sheet Metal Valley Flashing
4. Continuous Hook Strip
5. Metal Panel with Fold Lock Edge

SUGGESTED DETAIL BY OTHERS

- A. Accepted Deck

ARCA Warranty Ltd.
Alternate Valley Flashing
Detail 3a

ARCHITECTURAL STANDING SEAM METAL ROOFING



SCOPE OF ROOFING BY ROOFER

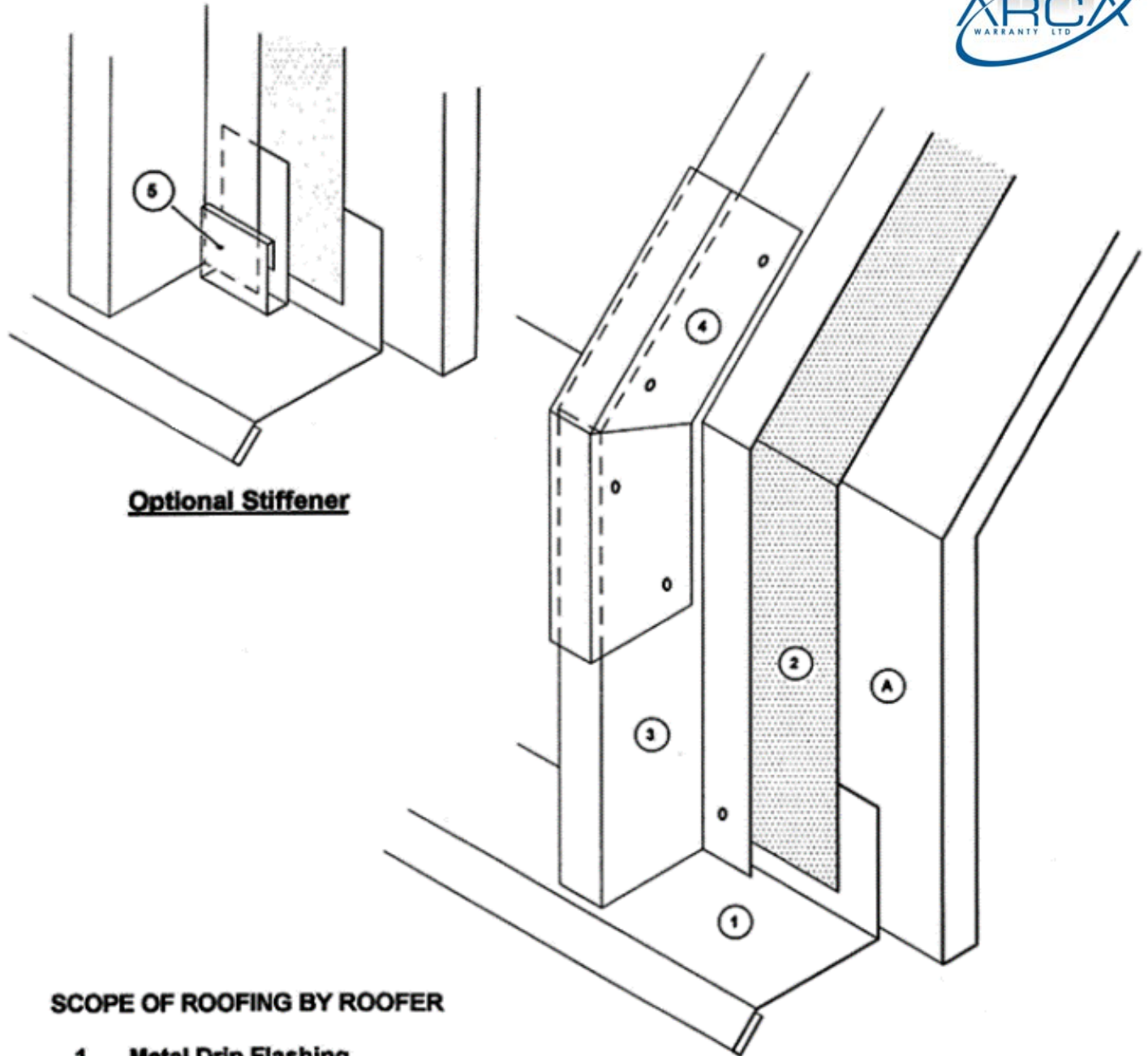
1. Underlayment Membrane
2. Sheet Metal Gable Flashing
3. J - Channel
4. Metal Panel with Pan Fold Edge

SUGGESTED DETAIL BY OTHERS

- A. Accepted Deck
- B. Gable End Fascia

ARCA Warranty Ltd.
Gable End Flashing
Detail 4

ARCHITECTURAL STANDING SEAM METAL ROOFING



Optional Stiffener

SCOPE OF ROOFING BY ROOFER

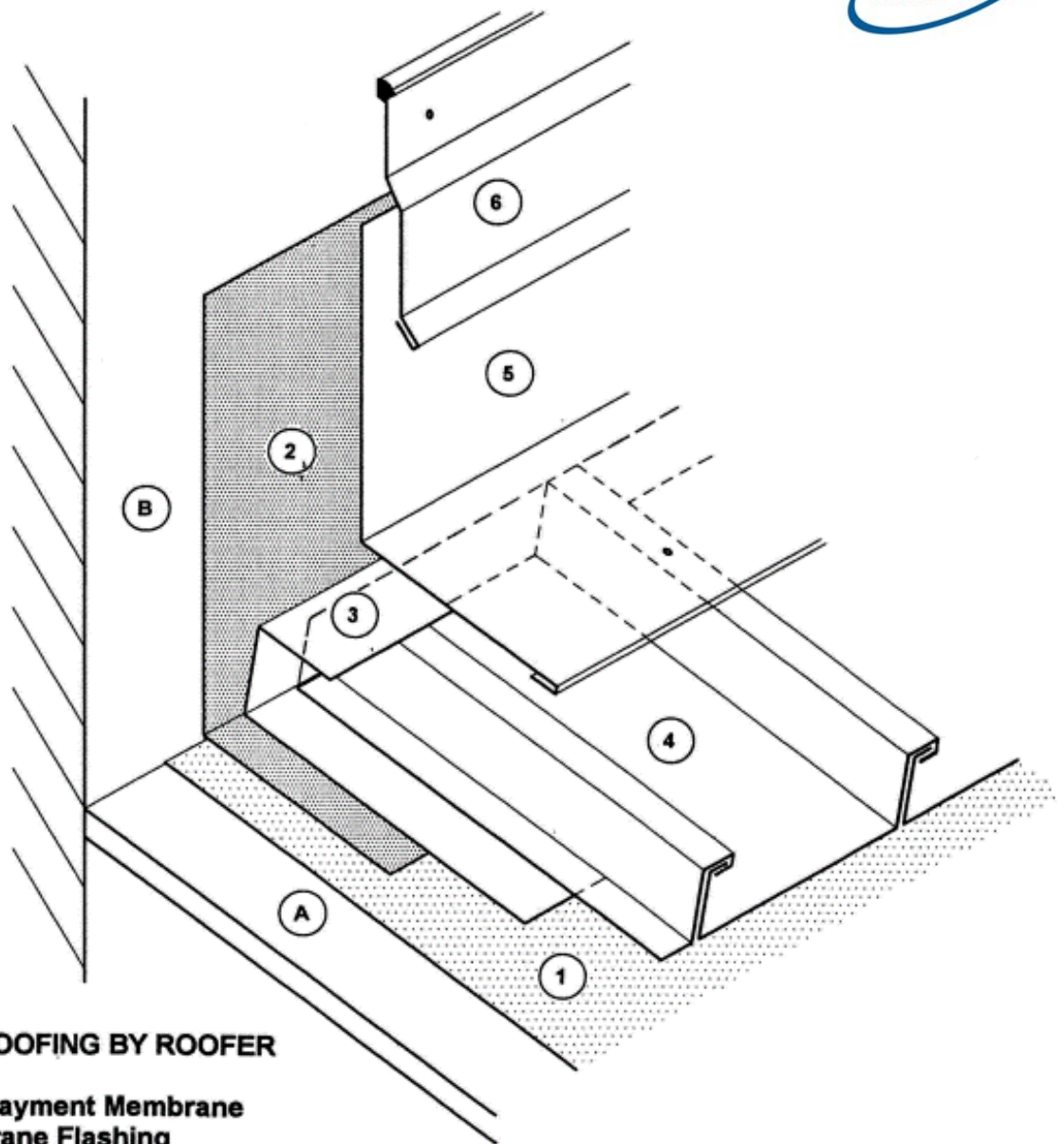
1. Metal Drip Flashing
2. Underlayment Membrane
3. Metal Roof Panel
4. Metal Knee Cap Flashing
5. Optional Metal Stiffener Flashing

SUGGESTED DETAIL BY OTHERS

- A. Accepted Deck

ARCA Warranty Ltd.
Canopy Knee Flashing
Detail 5

ARCHITECTURAL STANDING SEAM METAL ROOFING



SCOPE OF ROOFING BY ROOFER

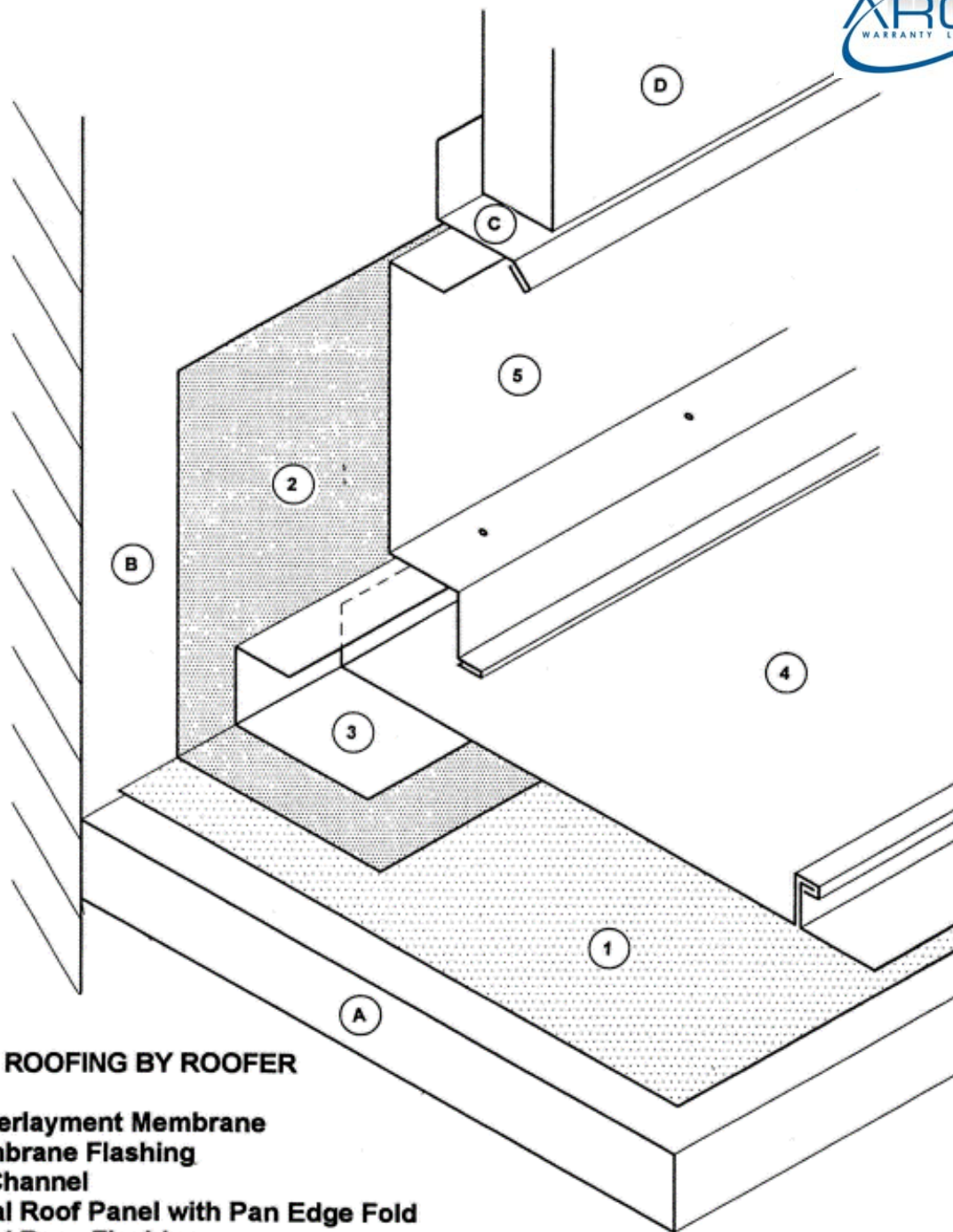
1. Underlayment Membrane
2. Membrane Flashing
3. J - Channel
4. Metal Roof Panel with Pan End Fold
5. Metal Base Flashing
6. Metal Counter Flashing with Sealant

SUGGESTED DETAIL BY OTHERS

- A. Accepted Deck
- B. Wall Substrate

ARCA Warranty Ltd.
Roof/Wall Flashing
Detail 6

ARCHITECTURAL STANDING SEAM METAL ROOFING



SCOPE OF ROOFING BY ROOFER

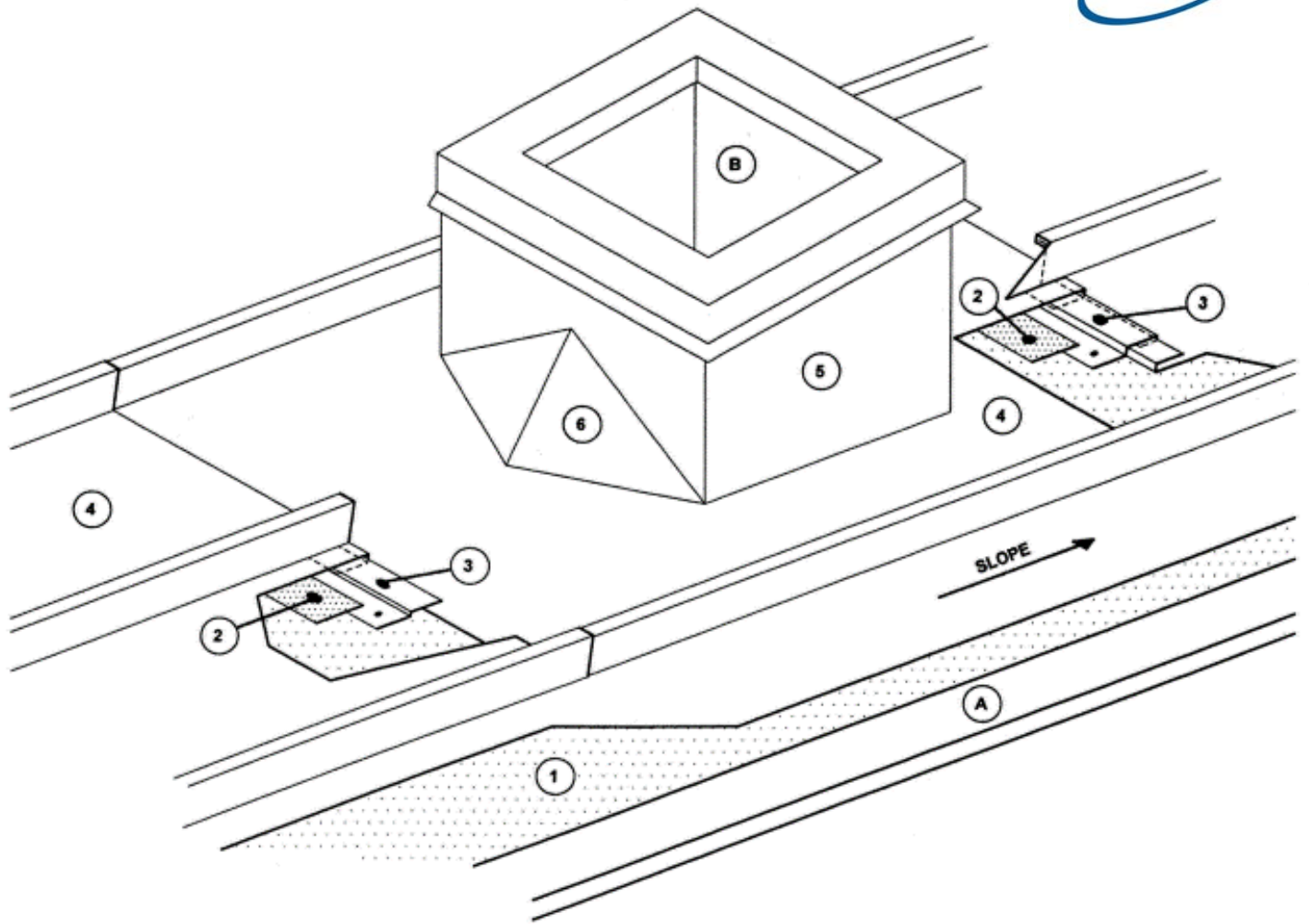
1. Underlayment Membrane
2. Membrane Flashing
3. J - Channel
4. Metal Roof Panel with Pan Edge Fold
5. Metal Base Flashing

SUGGESTED DETAIL BY OTHERS

- A. Accepted Deck
- B. Wall Substrate
- C. Metal Drip Flashing
- D. Wall Finish

ARCA Warranty Ltd.
Roof/Wall Rake Flashing
Detail 7

ARCHITECTURAL STANDING SEAM METAL ROOFING



SCOPE OF ROOFING BY ROOFER

1. Underlayment Membrane
2. Membrane Seal Strip
3. Continuous Metal Hook Strip
4. Metal Roof Panel with Fold Lock End
5. Metal Base Flashing over Membrane Flashing
6. Metal Cricket

SUGGESTED DETAIL BY OTHERS

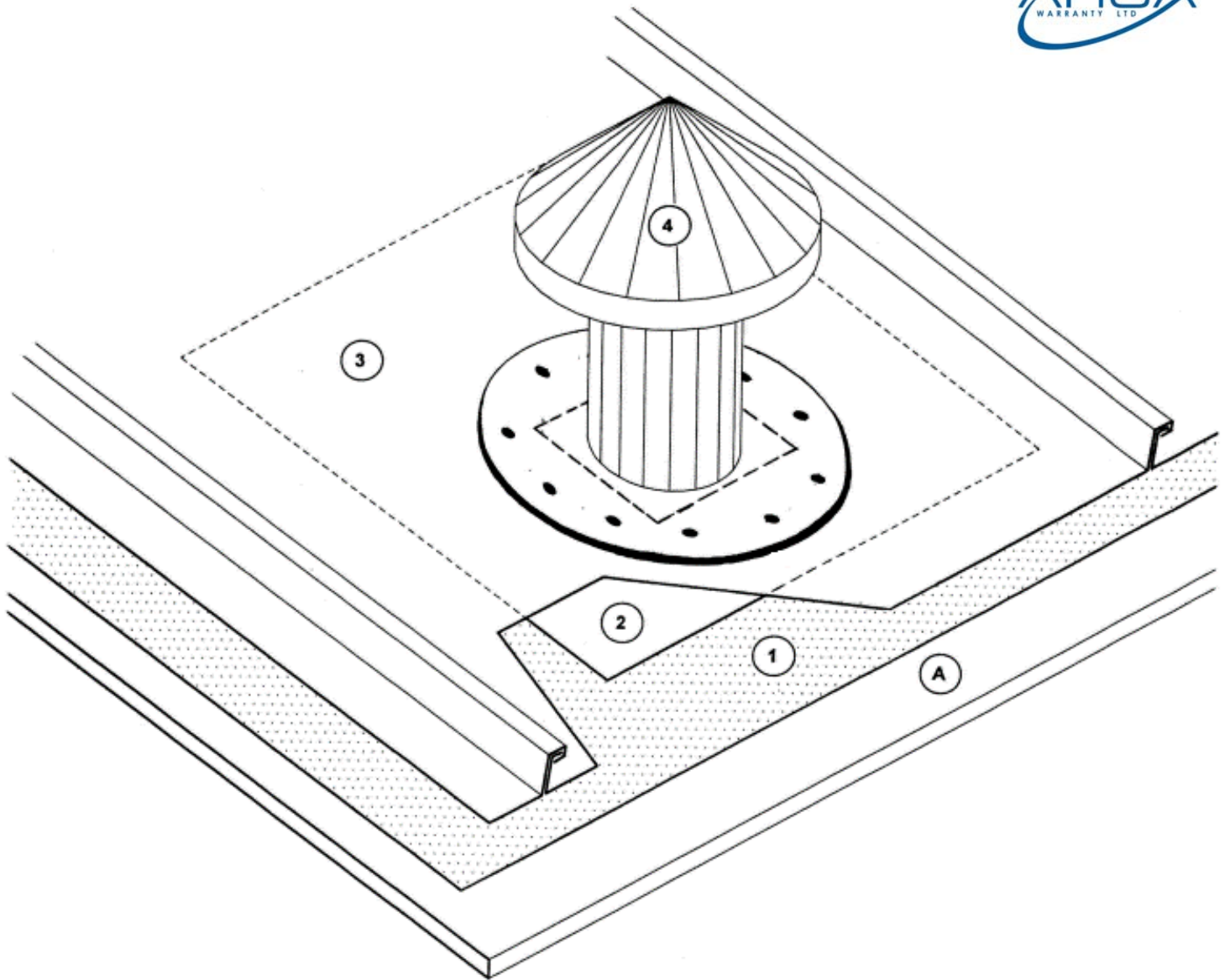
- A. Accepted Deck
- B. Curb (Min. 200 mm High)

ARCA Warranty Ltd.

Roof Curb

Detail 8

ARCHITECTURAL STANDING SEAM METAL ROOFING



SCOPE OF ROOFING BY ROOFER

1. Underlayment Membrane
2. Membrane Flashing
3. Metal Roof Panel
4. Flanged Circular Metal Vent Pipe

SUGGESTED DETAIL BY OTHERS

- A. Accepted Deck

ARCA Warranty Ltd.

Circular Vent Pipe

Detail 9